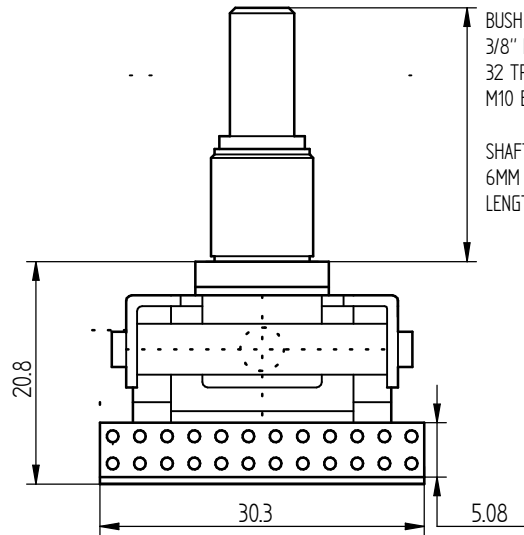
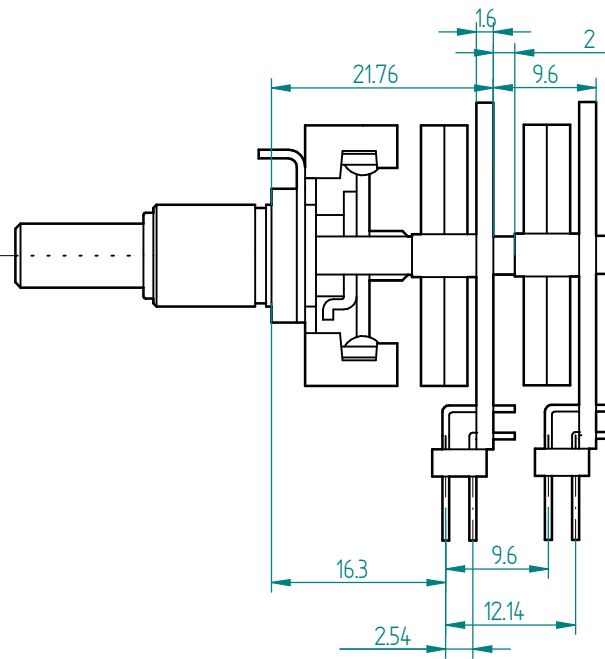
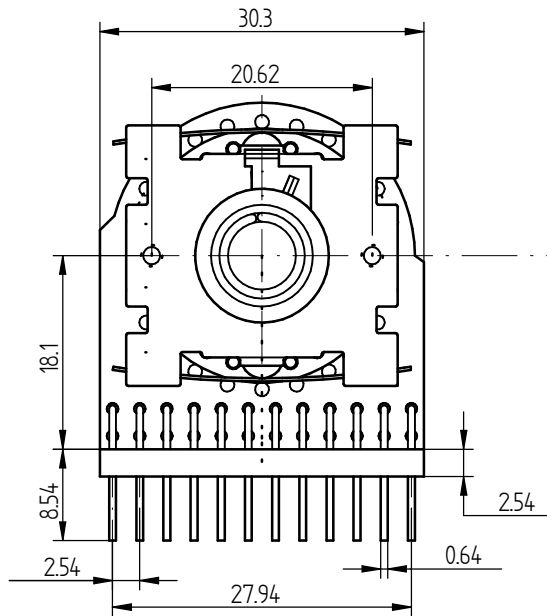




BEL PART NUMBER:



BUSH OPTIONS:
 3/8" BUSH (Thread Length 6.35/9.53mm)
 32 TPI WHITWORTH THREAD
 M10 BUSH

SHAFT OPTIONS:
 6MM OR 6.35MM DIAMETER
 LENGTH 25.4MM FMF STANDARD

PXR90 MULTI GANG SWITCH:

THE PXR90 IS AVAILABLE UP TO A MAXIMUM OF 6 GANGS AS STANDARD.

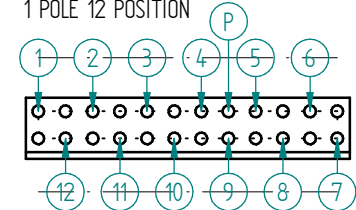
DUAL CONCENTRIC OPTIONS AVAILABLE

HOLLOW SHAFT OPTION FOR MOUNTING SWITCHES ALSO AVAILABLE

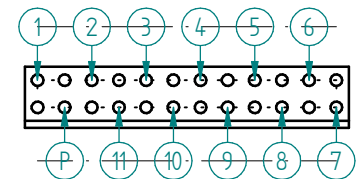
30 DEGREE INDEXING STANDARD
15 DEGREE INDEXING SPECIAL BUILD

PXR90 PINOUT VARIATIONS FOR STANDARD BUILDS:

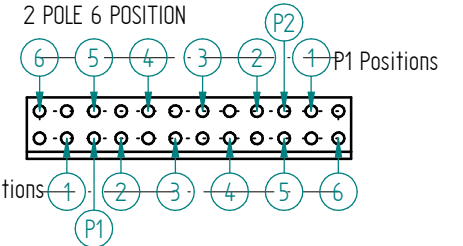
1 POLE 12 POSITION



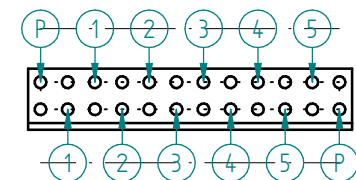
1 POLE 11 POSITION



2 POLE 6 POSITION



2 POLE 5 POSITION



	NAME	DATE
DRAWN	B CRYER	06/15/20
CHECKED		

BLORE EDWARDS LIMITED

TITLE
PXR90 RIGHT ANGLED SWITCH

UNLESS OTHERWISE SPECIFIED
 DIMENSIONS ARE IN MILLIMETERS
 ANGLES ±X.X°
 2 PL ±X.XX 3 PL ±X.XXX

SIZE A3	DWG NO	REV
FILE NAME: PXR90 DATA.dft		
SCALE:		SHEET 1 OF 1