

Overview

The SFK70 Series T-Bar Fader is a precision engineered component designed for use in audio, video and lighting control applications. Conforming to the industry standard mechanical format, the SFK70 Series are equally suited to existing products or new designs.

Precision Oilite® bearings and acetyl bushes offer a smooth linear feel over the full range of travel. A purpose calibrated contactless Hall effect sensor provides accurate noise-free operation. Output options include analogue linear voltage and Pulse Width Modulation (PWM). Customers may also specify custom output configurations to match existing interface electronics.

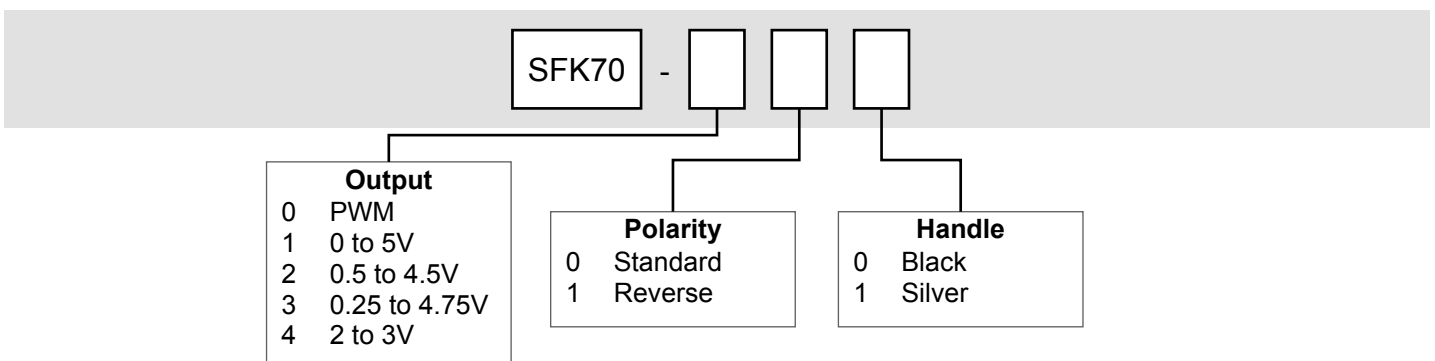
The SFK70 Series are supplied as standard with anodised aluminium handles. Individual custom options can be provided to meet customers' aesthetic requirements.



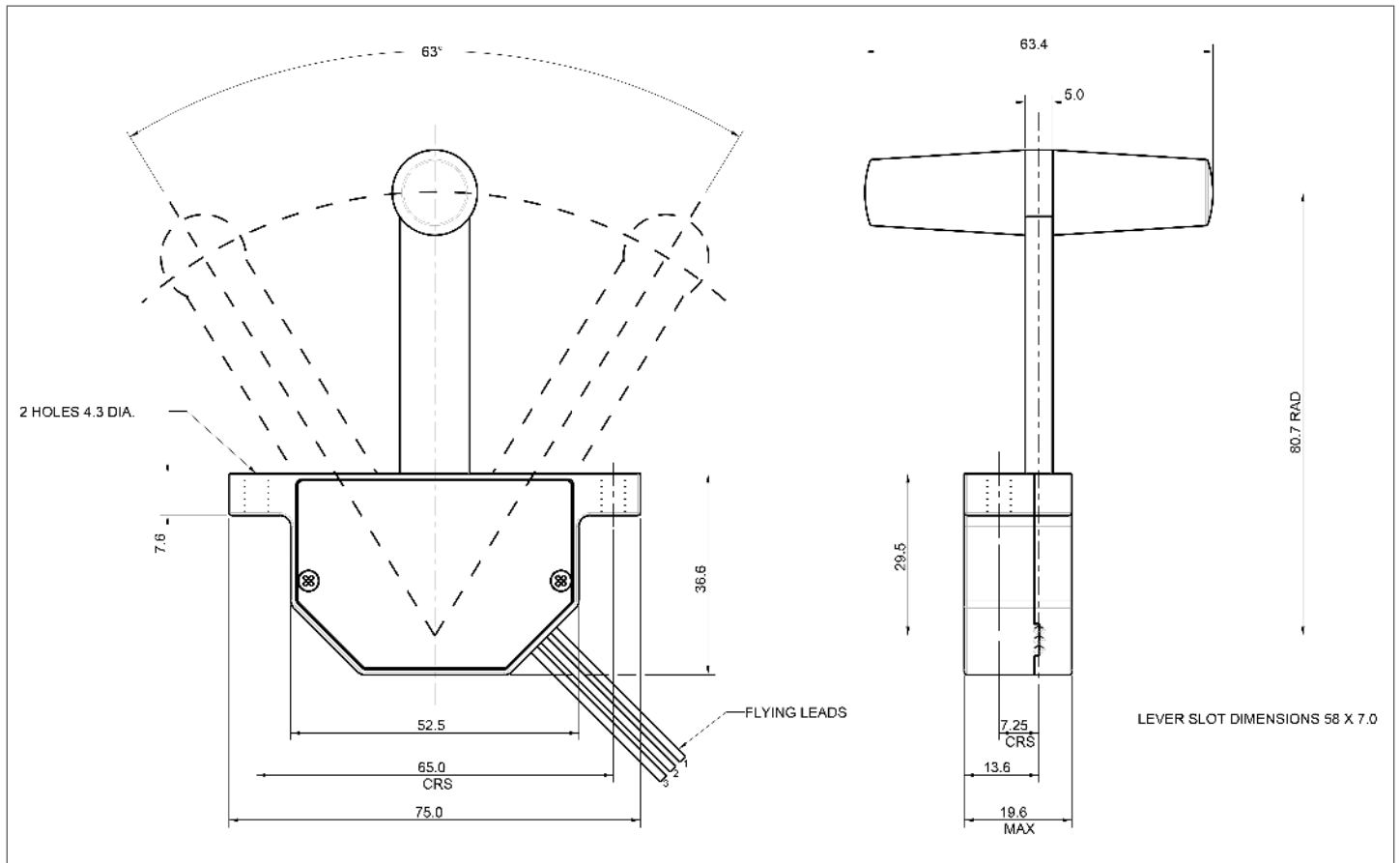
Features

- Standard mechanical package
- Absolute positioning
- Smooth precision control
- Anodised aluminium bar and handles (custom options available to order)
- Noise free operation
- Contactless Hall effect sensor
- Analogue or PWM (custom calibration available to order)

Ordering



Technical Specification



Electrical

Supply	5V ±0.5VDC
Typ. supply current	13.5mA
Max. supply current	15.0mA
Oversvoltage	24VDC
Reverse voltage protection	-12VDC
Output impedance	10 Ω

Environmental

Operating temperature	-40°C to +50°C
Storage temperature	-40°C to +70°C

Mechanical

Actuator travel	63° (±31.5° about centre)
Operating force	1.5N
Weight	100g
Expected life	1 million operations
Lever action	Friction

Connections

Colour	Function
Red	+5VDC Supply
White	Output
Black	0V

3D

3D CAD model available on request
Please contact Devlin for information