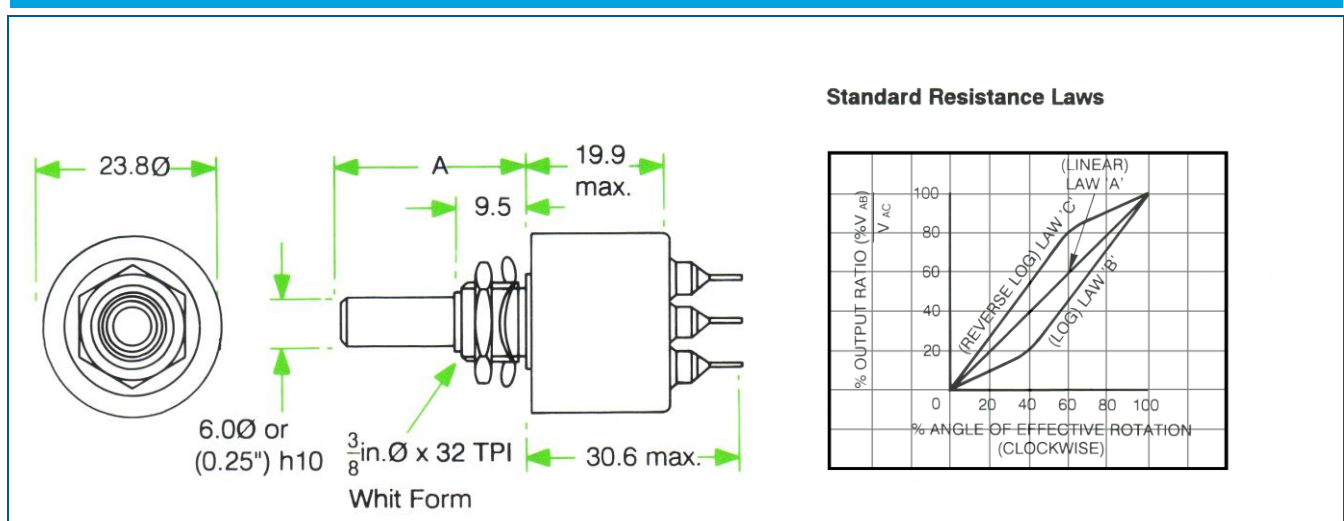
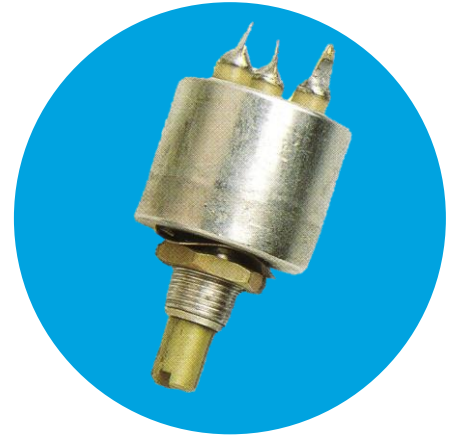


Wirewound Potentiometer Sealed

Series CLR 1500

- Panel control potentiometer
- Sealed construction
- Spindle and panel seals
- Alloy case and spindle
- RoHS compliant
- Non linear law available



Technical data

Standard resistance range	50 Ohms to 50,000 Ohms	Power rating	1.0W @ 20°C (0.5W @ 70°C)
Selection tolerance	+/- 10% (+/- 5% also available)	Isolation voltage	360 V a.c. peak
Angle of effective rotation	265° +/- 15°	Rotational Noise	100 Ohms E.N.R. maximum
Total mechanical rotation	290° +/- 10°	Linearity	+/- 1.0% typical
Starting torque	7 to 70 mNm	End stop torque	800 mNm maximum
Rotational life	25,000 shaft revolutions		

High quality container sealed, wirewound panel control of robust and reliable construction, with spindle and panel seals. Aluminium case and bushing; Anodized aluminium alloy spindle and fixing nut; nickel plated brass lid; silver plated brass tags insulated from lid by ceramic standoffs.