

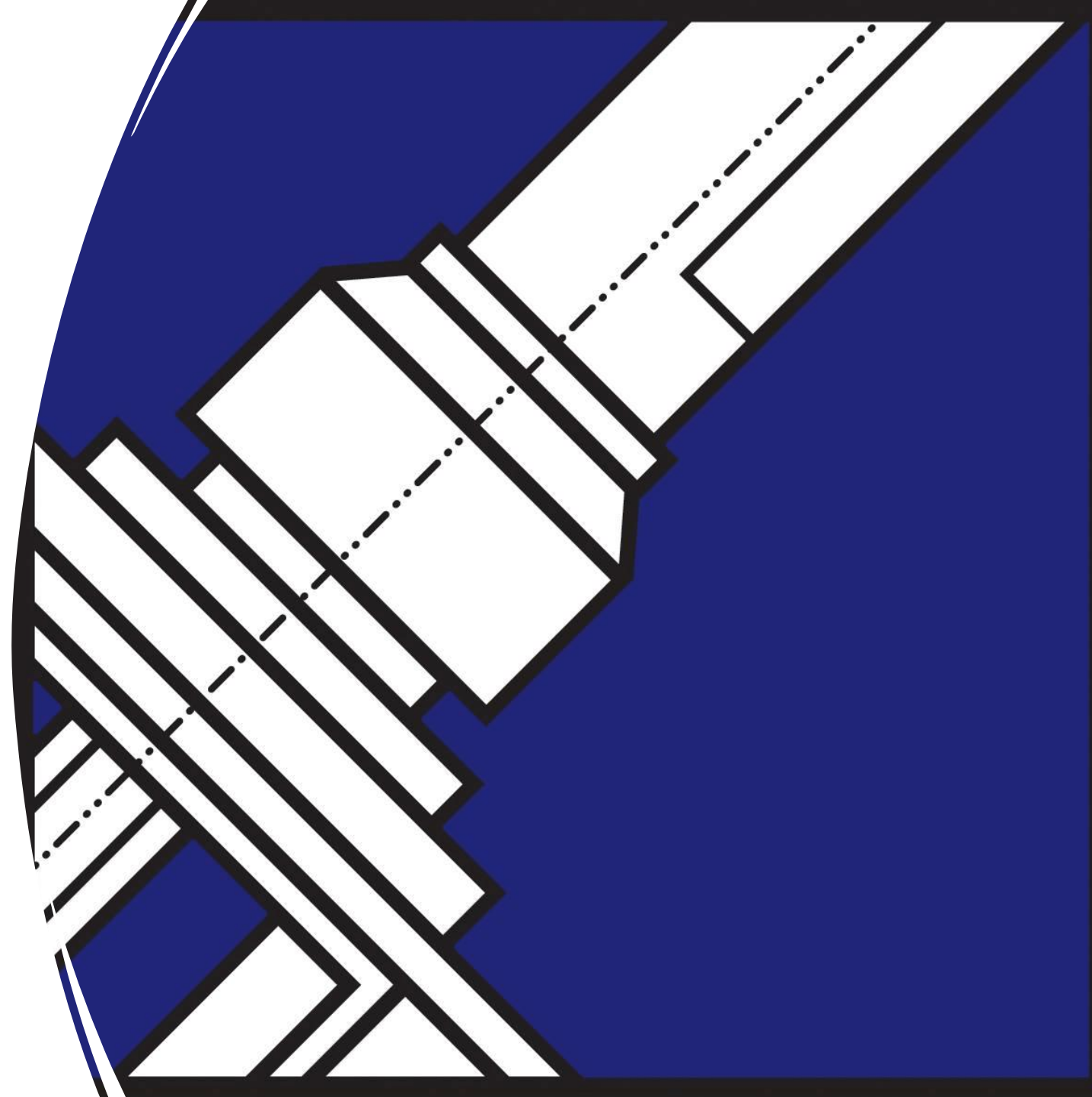
17 mm Carbon Potentiometers

Type of 17mm carbon pots:

- Snap-in Insulated Shaft Potentiometers

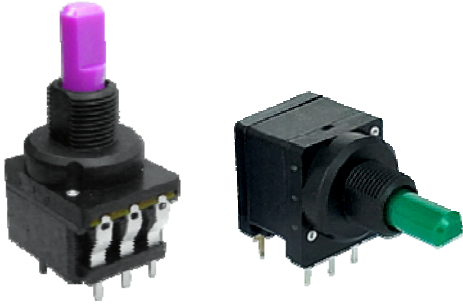
These will be further classified as :-

Horizontal/vertical mount, with/without switch,
rotary/push switch



ROTARY POTENTIOMETERS

17mm Size Insulated Shaft Potentiometers



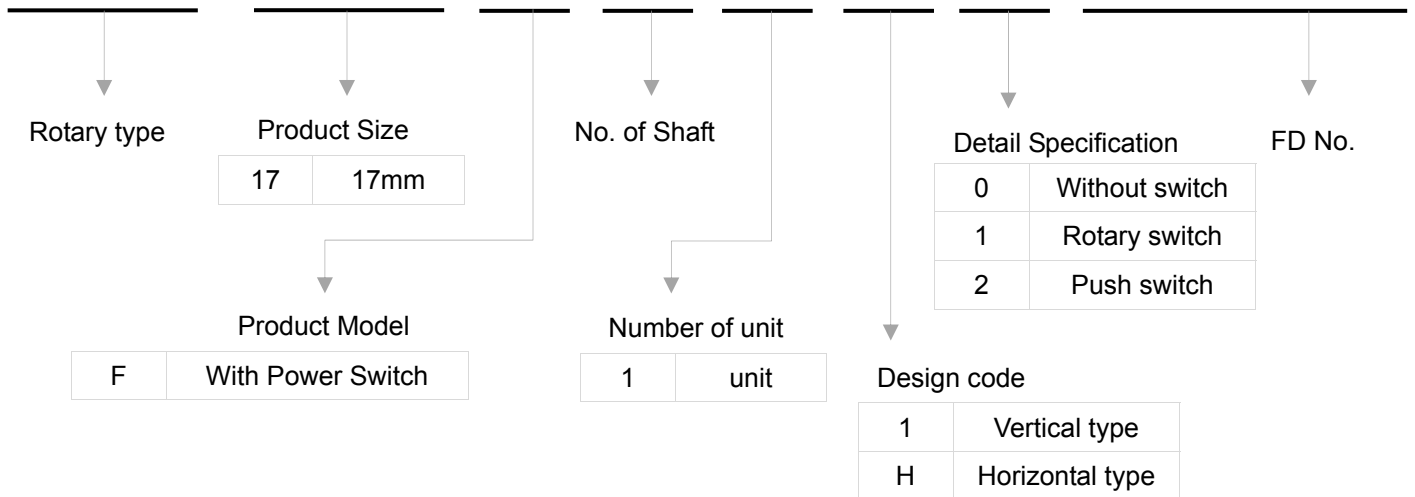
◆ FEATURE

- Dimmer, TV and audio products and general purpose as well.

◆ APPLICATIONS

- Dimmer, TV set, radio, stereo equipment etc.

| | | | | | | | | | | | |
|---|---|---|---|---|---|---|---|---|---|---|---|
| R | K | 1 | 7 | F | 1 | 1 | 1 | 1 | 0 | 0 | 1 |
|---|---|---|---|---|---|---|---|---|---|---|---|



◆ COMMON SPECIFICATIONS

| Characteristics | Specification |
|-------------------------------------|---------------------------------------|
| Total rotational angle | 300±5° |
| Rotational torque | 20~250gf.cm |
| Detent torque | 16 detent 300gf.cm max |
| Rotation stopper strength | 3.5Kgf.cm |
| Push pull strength | 8kgf max |
| Detent angle | 16 detent 18±2° Both ends±3° |
| Total resistance (KΩ) | 5.10.20.50.100.250.500 |
| Total resistance tolerance | ±20% |
| Rated power | B taper:0.1W Other than B taper 0.05W |
| Resistance taper | A,B,C,D,E,K,W,RD, |
| Maximum operating Voltage | 350V DC |
| For general Residual resistance use | 10Ω max |
| Slider noise | 47 mV max. According to JIS-6443 |
| Insulation resistance | 100mΩ min. 500V DC |
| Withstand voltage | 1 minute 500V AC |
| Rotation life | 10,000 cycles |
| Switch | Rotary type (SPST) Push type (SPDT) |
| Switch stroke | 50° max 3±0.5mm |
| Switch operating force | 800gf-cm max 2kgf max |
| Switch rating | 4A 250V A.C 10A 250V A.C |
| Switch Insulation resistance | 500mΩ min. 500V DC |
| Switch Withstand voltage | 1 minute 1000V AC |
| Switch operating life | 40,000 cycles |

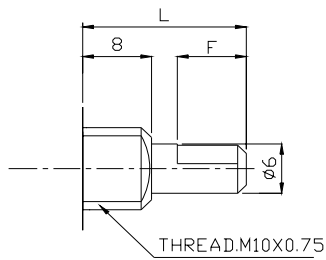
ROTARY POTENTIOMETERS

17mm Size Snap-in Insulated Shaft Potentiometers

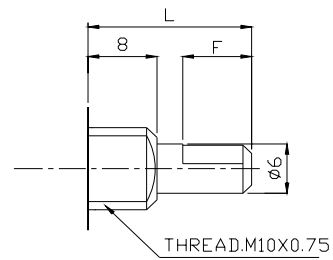
STANDARD PLASTIC SHAFT DIMENSIONS

Unit : mm.

Rotary type




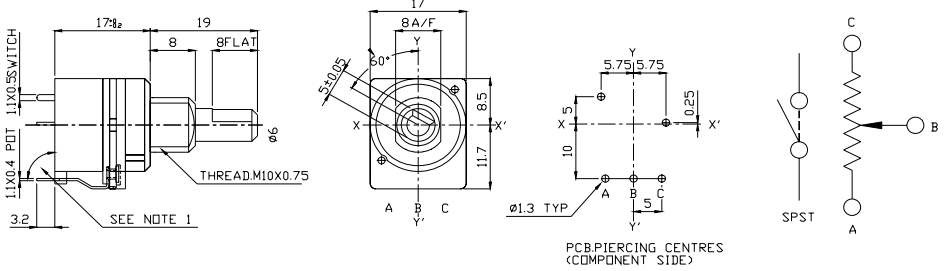

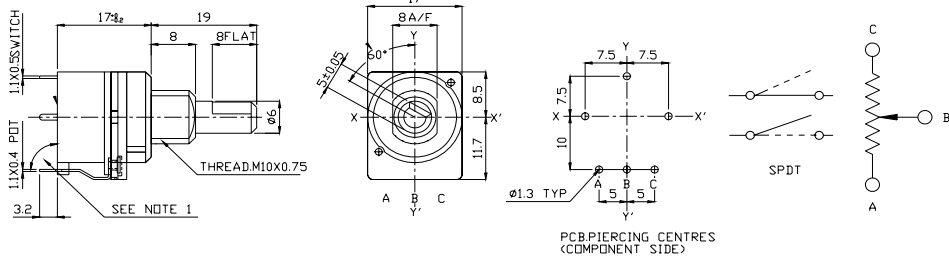

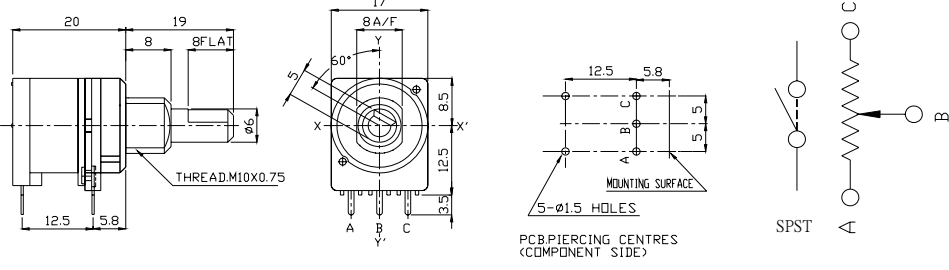
Push type



| | | | | | |
|---|----|----|---|----|----|
| L | 17 | 19 | L | 19 | 21 |
| F | 8 | 8 | F | 8 | 8 |

DIMENSIONS

Unit : mm

| Model | Dimensions |
|--|---|
| Single shaft, single unit With rotary switch AC250V 4A RK17F1111  |  <p>PCB PIERCING CENTRES (COMPONENT SIDE)</p> |
| Single shaft, single unit With push switch AC 250V 10A RK17F1112  |  <p>PCB PIERCING CENTRES (COMPONENT SIDE)</p> |
| Single shaft, single unit With rotary switch AC250V 4A RK17F11H1  |  <p>PCB PIERCING CENTRES (COMPONENT SIDE)</p> |