

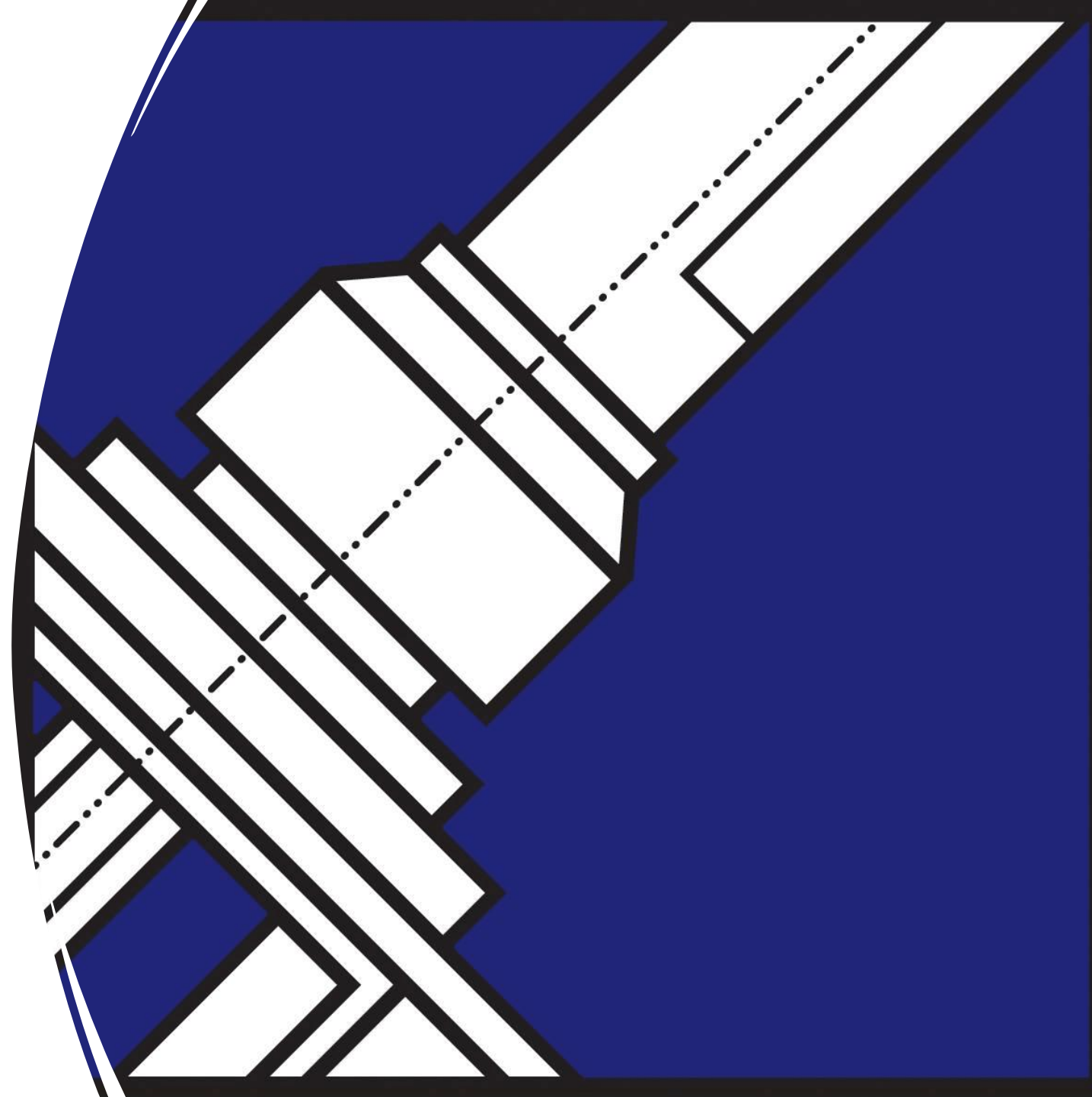
# 11mm Carbon Potentiometers

---

Types of 11mm Carbon Pots:

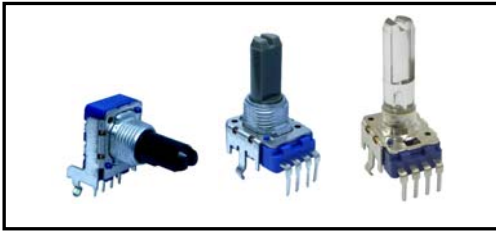
- Metal Shaft Potentiometers
- Snap-in Insulated Shaft Potentiometers

These will be further classified as :-  
Horizontal/vertical mount, single/dual unit,  
with/without bushing, centre detent/centre  
tap, with/without switch, single/dual shaft



# ROTARY POTENTIOMETERS

## 11mm Size Snap-in Insulated Shaft Potentiometers



### ◆Applications

- Various potentiometers for radios, radios-cassette recorders, amplifier-mixers, etc

### ◆Features

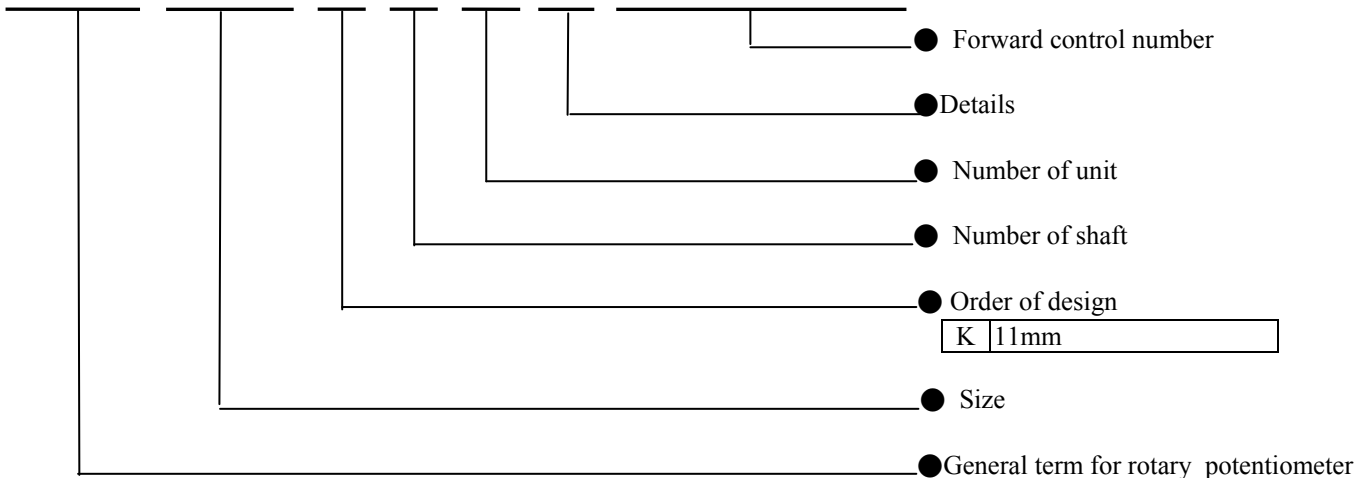
- Insert-molding with resin applied around the resistor assures high flux resistance.
- Since a variety of types are available, they can be used for a wide range of products including audio equipment.
- Units can be provided with bushing, tap and detent

### ◆Common specifications

Application	11mm size	
	Single-unit	Dual-unit For high-cut tone
Total resistance (KΩ)	5,10,20,50,100,250,500	5,10,20,50,100,250,500
Total resistance Tolerance	±20%	±20%
Resistance taper	A, B, C, D, E, K, W	A, B, D
Power rating	0.05W	Max. Operating Current 1mA. AC
Max operating Voltage	50V A.C 20V D.C	50V A.C For A.C only
Total Rotational angle	300±5°	
Operating torque	30~200gf-cm	
Bushing nut tightening strength	10Kgf-cm min.	
Rotational Life	15,000 cycles	15,000 cycles

### ◆Products Numbering System

R	K	1	1	K	1	1	1	0	0	0	1
---	---	---	---	---	---	---	---	---	---	---	---



RK	Old code
RD	New code

# ROTARY POTENTIOMETERS

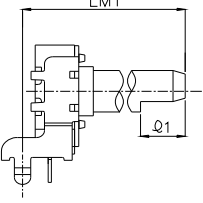
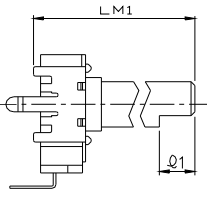
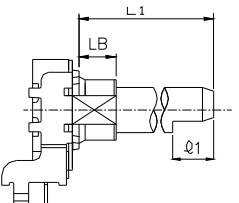
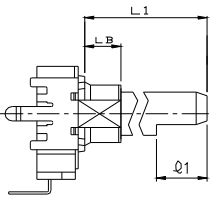
## 11mm Size Snap-in Insulated Shaft Potentiometers

### ◆Products Line

Size (mm)	Type	Type	Model	Bushing	Center Detent	Center Tap	Mounting Height (mm)	Applications	For DC Use
11	Single-unit	Horizontal	RK11K111	—	✓	✓	10, 12.5	General Purpose	20V DC
			RK11K112	✓	✓	✓			
		立式 Vertical	RK11K113	—	✓	✓	—		
			RK11K114	✓	✓	✓			
	Dual-unit	Horizontal	RK11K12L	—	✓	—	10, 12.5	for high-cut tone	—
			RK11K12M	✓	✓	—			
		Vertical	RK11K12N	—	✓	—	—		
			RK11K12P	✓	✓	—			

### ◆Shaft type

unit: mm


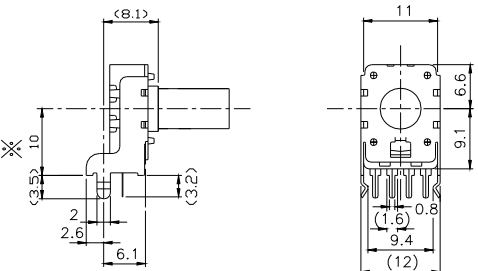
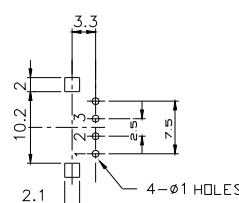
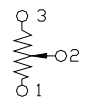

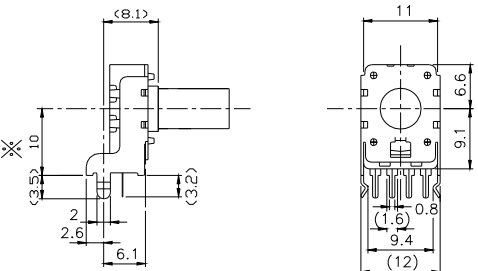
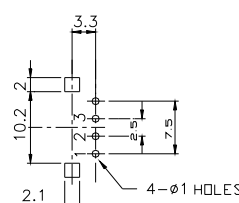
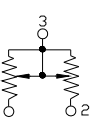

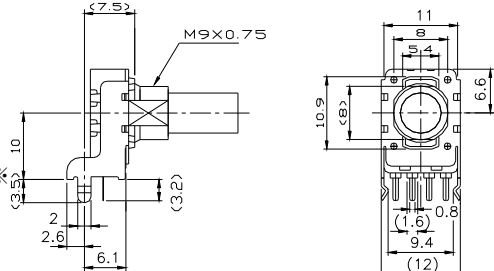
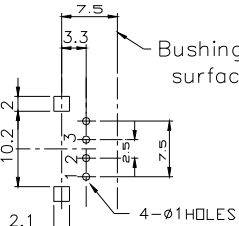
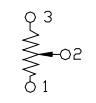

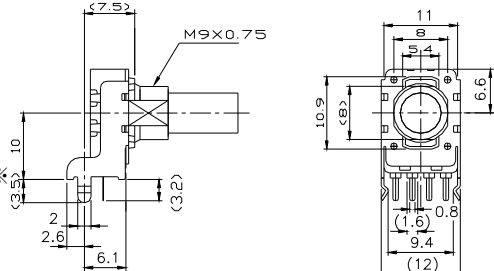
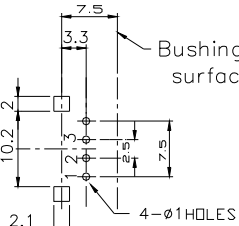
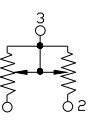

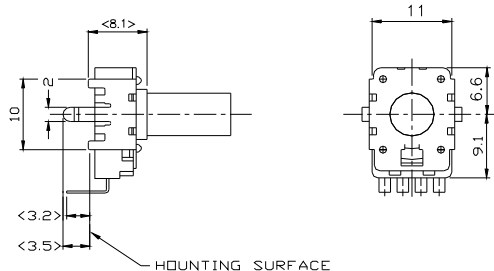
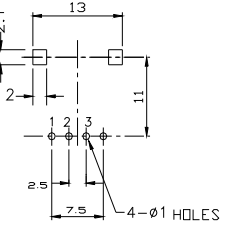
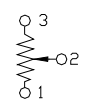

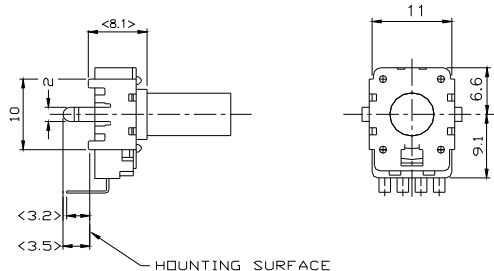
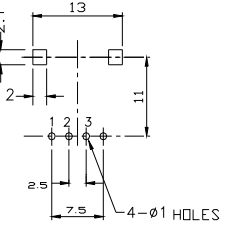
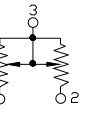

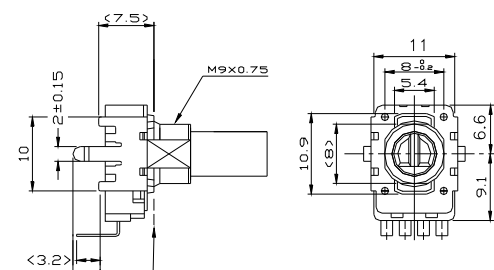
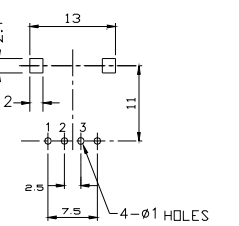
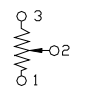

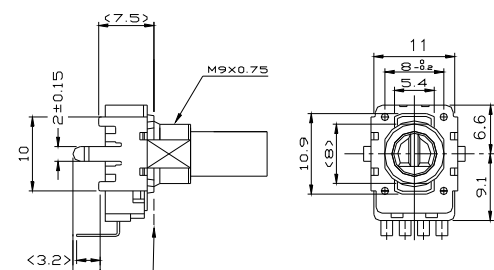
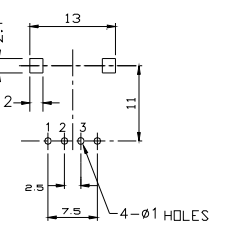
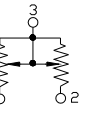

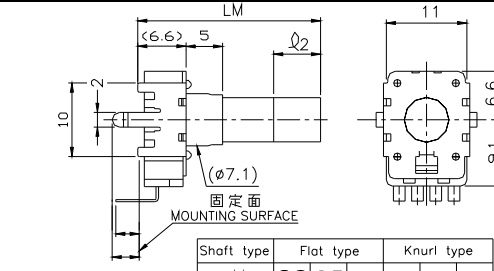
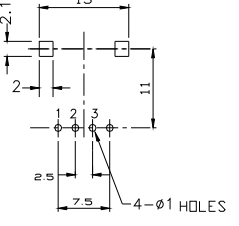
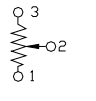
Application		Without Bushing					With Bushing							
		Horizontal		Vertical			Horizontal				立式 Vertical			
														
Single-unit for high-cut tone	Flat type	LM1	15	20	25	30	L1	12.5	15	17.5	20	22.5	25	30
		φ1	4.5	7	12	12	φ1	7	7	12	12	12	12	12
		-	-	-	-	-	LB	5	5	5	5	5	5	5
	Knurl type	LM1	15	20	25	30	L1	12.5	15	27.5	20	22.5	25	30
		φ1	-	7	12	12	φ1	7	7	7	12	12	12	12
		-	-	-	-	-	LB	5	5	5	5	5	5	5

# ROTARY POTENTIOMETERS

## 11mm Size Snap-in Insulated Shaft Potentiometers

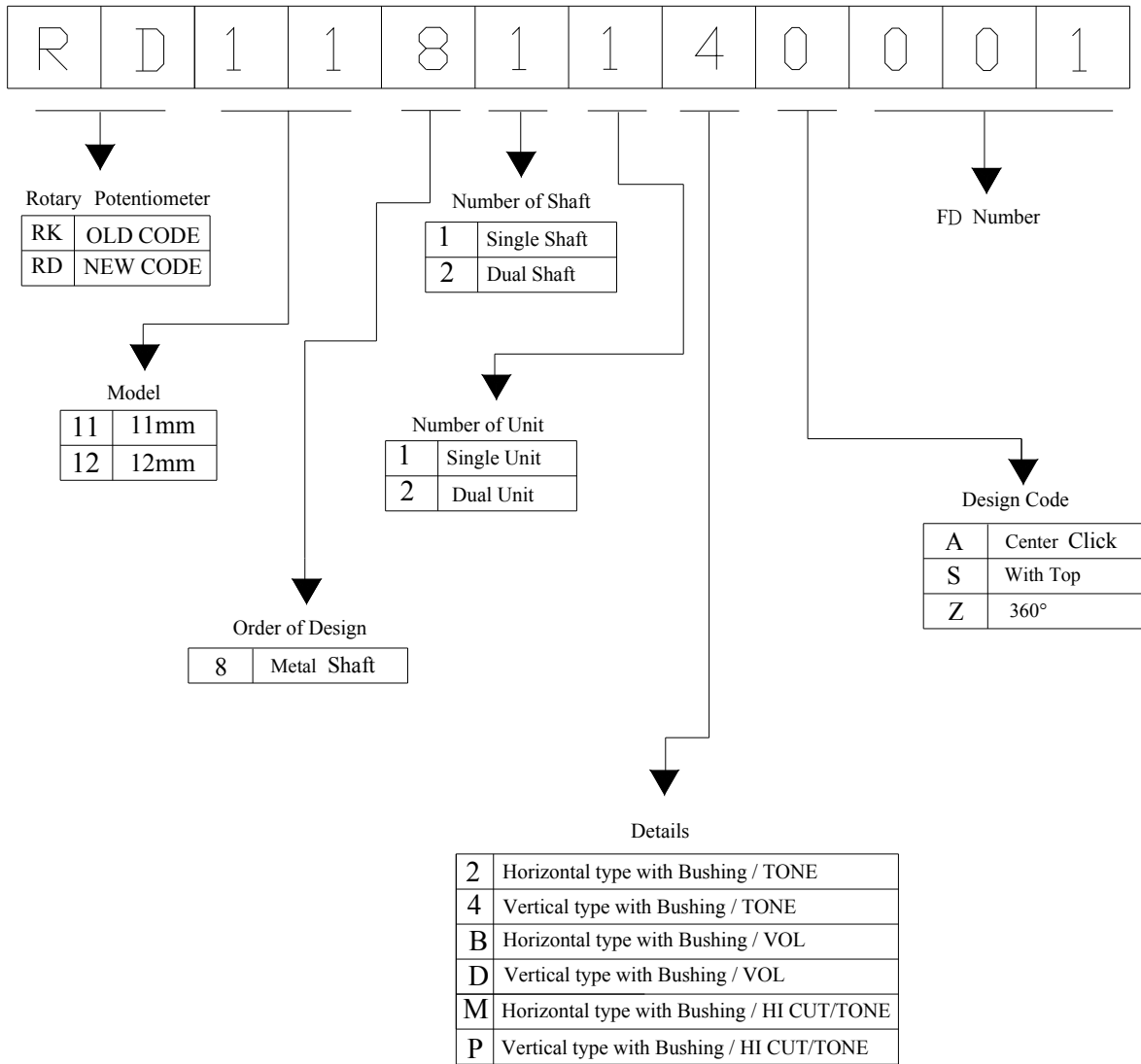
### ◆Dimensions

Unit: mm

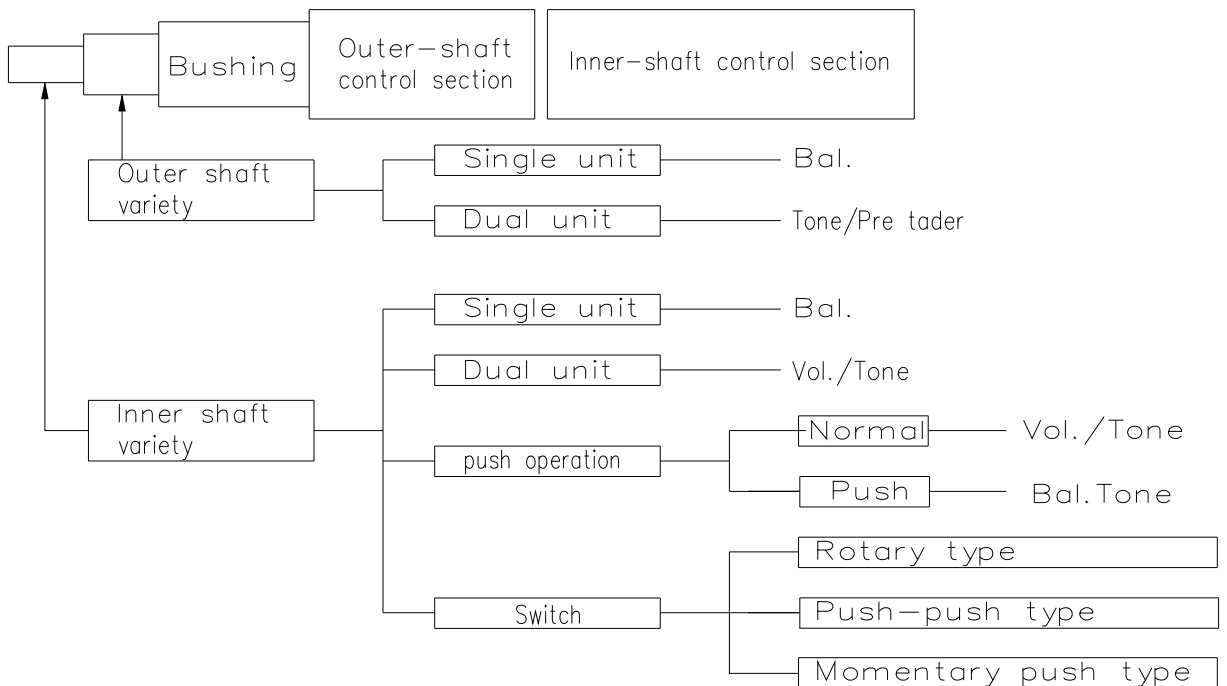
Model	Dimensions	Mounting hole details	Circuit																												
 RK11K111																															
 RK11K12L	 <p>※Available mounting height(H):12.5mm</p>																														
 RK11K112																															
 RK11K12M	 <p>※Available mounting height(H):12.5mm</p>																														
 RK11K113																															
 RK11K12N	 <p>MOUNTING SURFACE</p>																														
 RK11K114																															
 RK11K12P	 <p>固定面 MOUNTING SURFACE</p>																														
 RK11K113Z	 <p>固定面 MOUNTING SURFACE</p> <table border="1" data-bbox="662 2004 965 2094"> <thead> <tr> <th>Shaft type</th> <th colspan="3">Flat type</th> <th colspan="3">Knurl type</th> </tr> <tr> <th></th> <th>LM</th> <th>Q2</th> <th>Q2</th> <th>LM</th> <th>Q2</th> <th>Q2</th> </tr> </thead> <tbody> <tr> <td>LM</td> <td>20</td> <td>25</td> <td>30</td> <td>20</td> <td>25</td> <td>30</td> </tr> <tr> <td>Q2</td> <td>7</td> <td>12</td> <td>12</td> <td>7</td> <td>12</td> <td>12</td> </tr> </tbody> </table>	Shaft type	Flat type			Knurl type				LM	Q2	Q2	LM	Q2	Q2	LM	20	25	30	20	25	30	Q2	7	12	12	7	12	12		
Shaft type	Flat type			Knurl type																											
	LM	Q2	Q2	LM	Q2	Q2																									
LM	20	25	30	20	25	30																									
Q2	7	12	12	7	12	12																									

# ROTARY POTENTIOMETERS

## 11mm /12mm Metal Shaft Potentiometers



### Configuration Chart



# ROTARY POTENTIOMETERS

## 11mm /12mm Size Metal Shaft Potentiometers



### ◆ Feature

- Insert-molding with resin applied around the resistor Assures high flux resistance.
- Since a variety of types are available, they can be used For a wide range of products including audio Equipment.
- Units can be provided with bushing, tap and detent

### ◆ Applications

- Ideal for volume, tone and balance control of car audio equipment.

### ◆ Common specification

Characteristics		Specification
Total rotational angle	General	300±5°
	Shaft moving type	360°
Rotational torque		20~250gf.cm
Detent torque	center detent	Rotational torque+ ( 30~200) gf.cm
Rotation stopper strength	General	5Kgf.cm
	Shaft moving type	-
Push pull strength		10kgf max
Total resistance (KΩ)		5.10.20,50,100,250.500
Total resistance tolerance		±20%
Rated power		0.05W
Resistance taper		A,B,C,D,E,K,W,RD,M,N
Maximum operating Voltage		50V AC      10V DC
Residual resistance	R ≤ 10	20 Ω MAX
	10 < R < 50	30 Ω MAX
	R ≤ 10	0.1% MAX of total resistance
Slider noise		100 mV max.
Insulation resistance		100mΩ min. 250V DC
Withstand voltage		1 minute 300V AC
Rotation life		15,000 cycles

### ◆ Dimensions of shaft


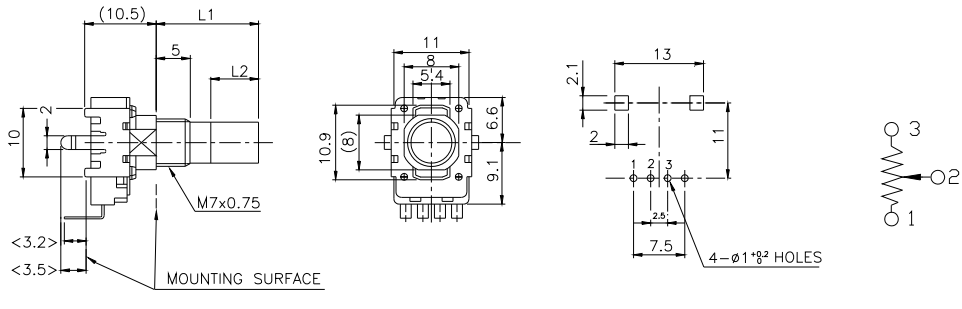

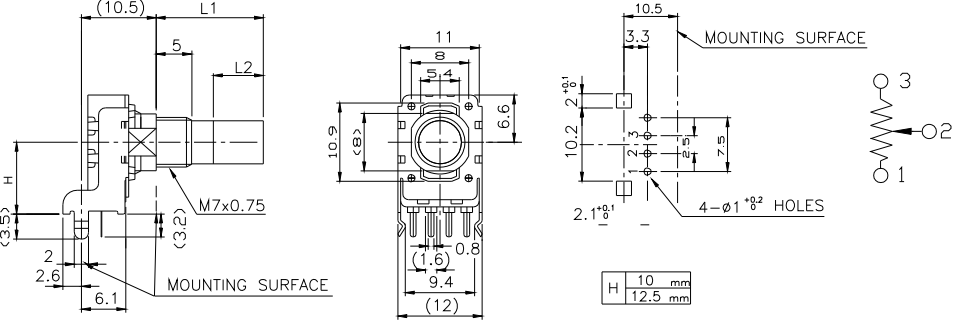

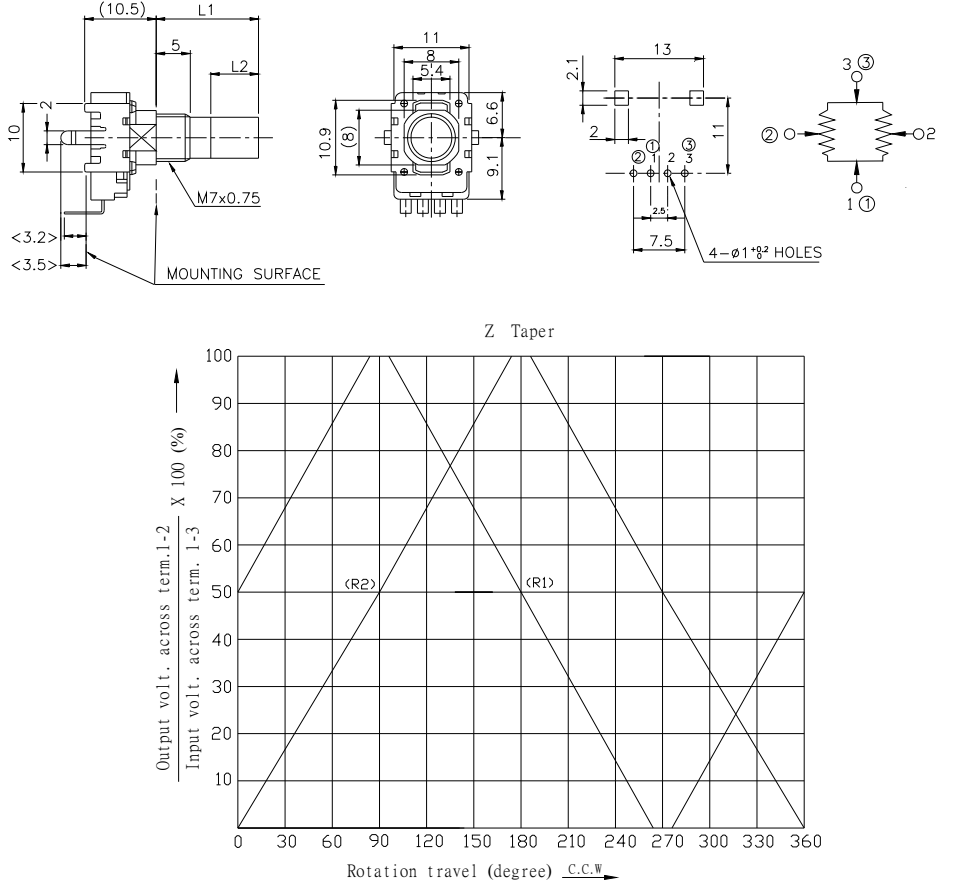
FLAFT SHAFT		KNURLED SHAFT		SLOT SHAFT	
L1	15   20   25	L1	15   20   25	L1	15   20   25
L2	7   12   12	L2	7   11   14		

# ROTARY POTENTIOMETERS

## 11mm Size Metal Shaft Potentiometers

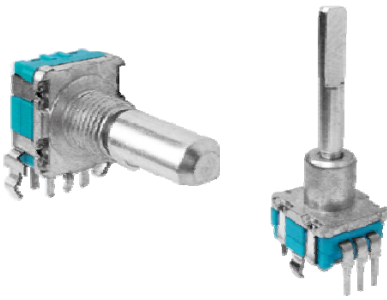
### ◆ Dimensions

Unit:mm

Model	Dimensions				
<p>Single shaft, single unit RD118114</p> 					
<p>Single shaft, single unit RD118112</p> 	 <table border="1" data-bbox="1157 952 1252 996"> <tr> <td>H</td> <td>10 mm</td> </tr> <tr> <td></td> <td>12.5 mm</td> </tr> </table>	H	10 mm		12.5 mm
H	10 mm				
	12.5 mm				
<p>Single shaft, dual unit RD118124Z (360°)</p> 	 <p style="text-align: center;">Z Taper</p> <p style="text-align: center;"> <math display="block">\frac{\text{Output volt. across term. 1-2}}{\text{Input volt. across term. 1-3}} \times 100 (\%)</math> </p> <p style="text-align: center;">Rotation travel (degree) <u>C.C.W</u></p>				

# ROTARY SENSORS

## 11mm Size Metal Shaft Potentiometers



### ◆ FEATURE

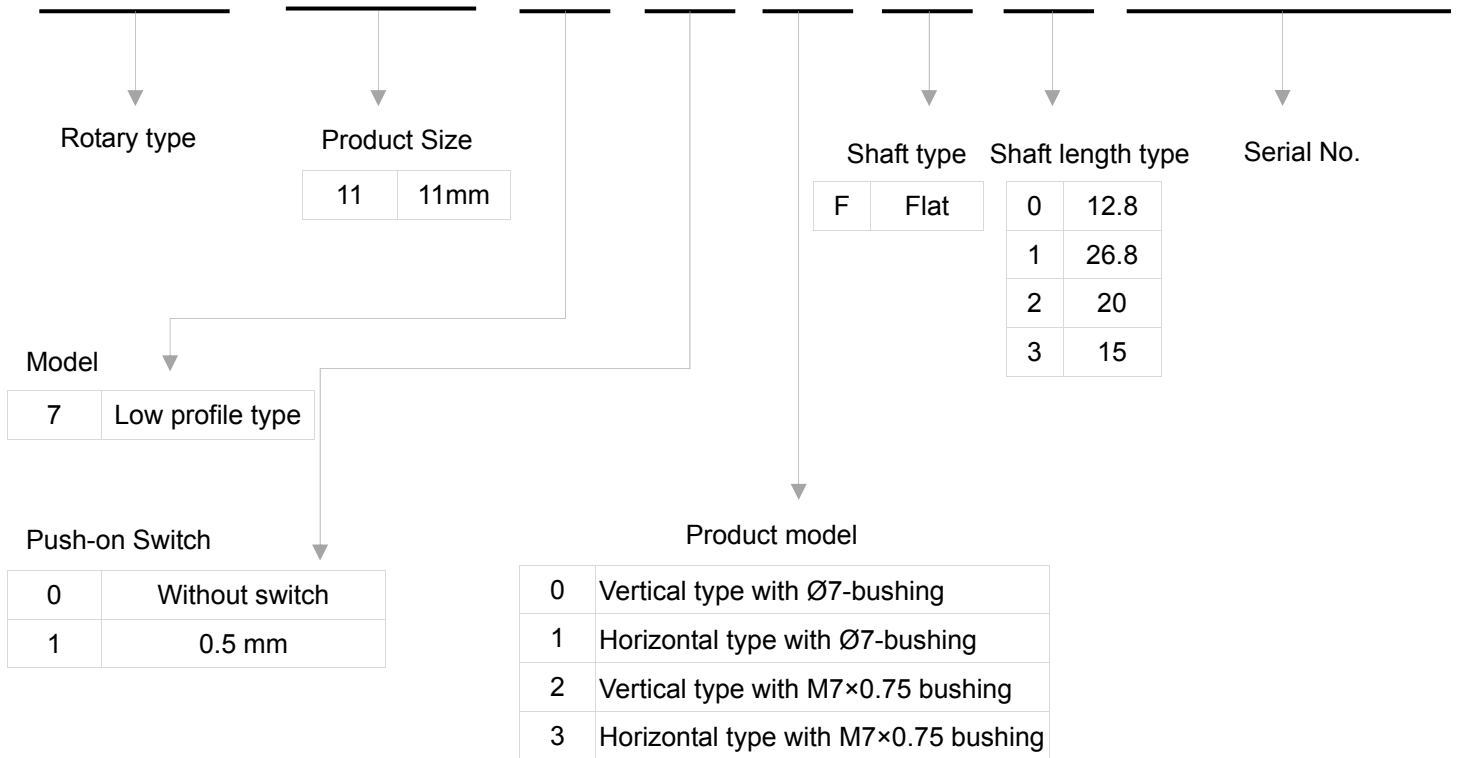
Sound volume, quality and balance control for car audio system and other audio system

### ◆ APPLICATIONS

Low profile type with 0.5mm travel push-on switch. Solder able with auto dipping.

### ◆ PRODUCTS NUMBERING SYSTEM

R	D	1	1	7	1	0	F	0	0	0	1
---	---	---	---	---	---	---	---	---	---	---	---



### ◆ COMMON SPECIFICATIONS

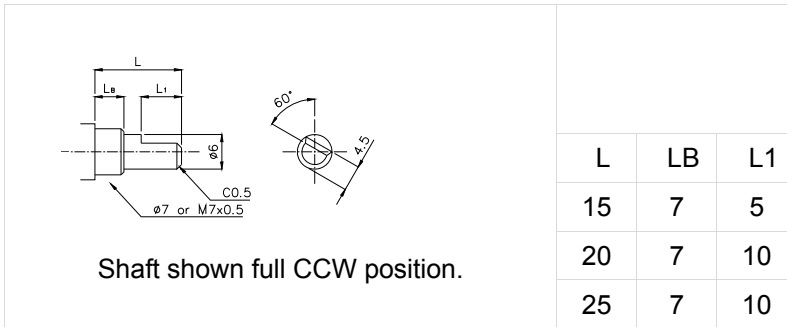
Items	Specification	
Total rotational angle	General	300±5°
	Shaft moving type	300+10°/-5°
Rotational torque	20~250gf.cm	
Total resistance (KΩ)	5,10,20,50,100,250	
Total resistance tolerance	±20%	
Rated power	0.05W	
Resistance taper	A, B, C, D, E, K, W, RD, M, N	
Maximum operating Voltage	50V AC	10V DC
Rotation life	15,000 cycles	



# ROTARY POTENTIOMETERS


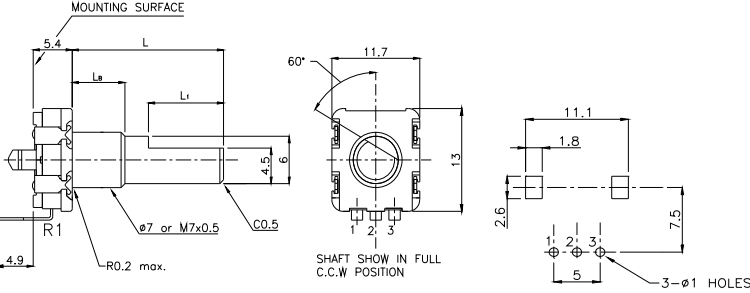
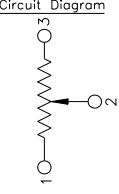

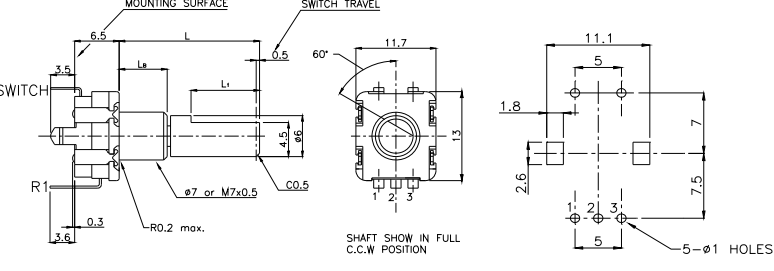
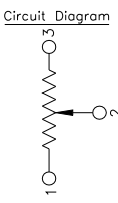
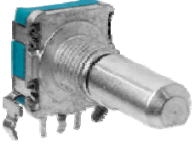
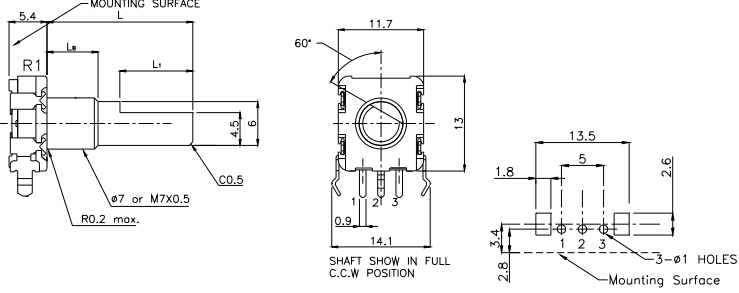
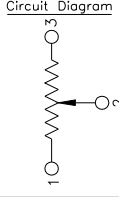
## 11mm Size Metal Shaft Potentiometers

### ◆ DIMENSIONS OF SHAFT



### DIMENSIONS

Unit: mm

Model	Dimensions
<b>Vertical type</b> <b>RD11700F</b> 	 
<b>Vertical type</b> <b>With 0.5mm Push-on SW</b> <b>RD11710F</b> 	 
<b>Horizontal type</b> <b>RD11701F</b> 	 
<b>Horizontal type</b> <b>With 0.5mm Push-on SW</b> <b>RD11711F</b> 