

Blore Edwards Rotary Wafer Switches – PZ

WE'RE IN CONTROL

General characteristics of TYPE PZ

The Type PZ Rotary Wafer Switch is a high quality 24 position switch ideally suited for professional and military applications. It comes as a standard 1P 23 Way but can be made in to a 24 Way continuous rotation switch by the fitting of a special wiper. The PZ is ideally suited for use as a stepped attenuator, and comes in Mono, Stereo and Quad builds. It is a versatile and hard wearing switch available with four torque variations depending on application from the light 004 variation (audio) to the heavy (001) military.

Electrical Specification

Maximum working voltage 300V ac (rms) or dc

Contact rating

Current Carrying	2 Amp continuous
Current Breaking with resistive load	25 Watt ac or 15 Watt dc Recommended max voltage 300V ac and max current 500mA ac, dc
Proof voltage	1000V ac (rms) minimum
Insulation resistance (all paths)	Greater than 10 ⁶ Megohms
Contact resistance (initial)	2 – 10 Milliohms
(After 20,000 cycles)	Not greater than 5 milliohms above initial

Mechanical Specification

End Stop Strength 1.7Nm (15lb ins)

Maximum switching per wafer

Poles	1	2	3	4	5	6		
Ways	23*	11	7	5	3	3		15° Indexing
Ways	12	9	5	4	3	2		30° Indexing

* Special 24 Way also available

Contacts

Standard – Brass silver plated, silver alloy or brass gold plated contacts are available
PC Terminations – available in above finishes
PC Pin and standard terminations

Rotor Blades

Make before break or break before make, all available in above finishes

Insulation

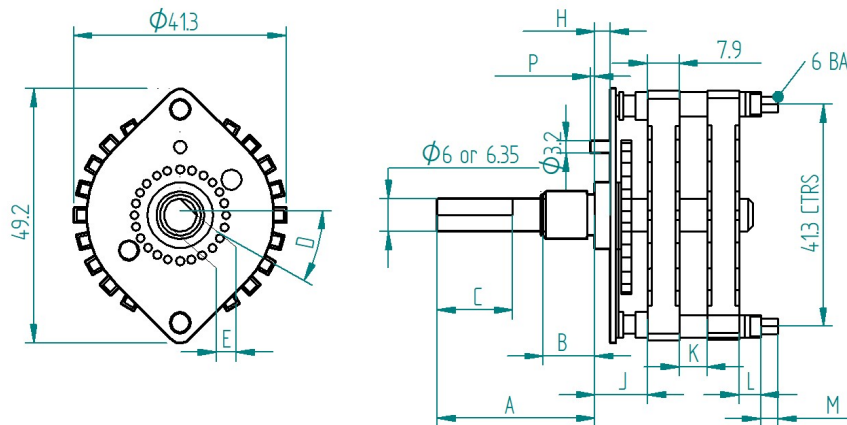
Stator – Moulded diallylphthalate (DAP)
Rotor – Acetal resin

Finish

Standard – Zinc plated and passivated. Other finishes available on request

TYPE PZ

Dimensions in millimetres



Key to Details

- A. Shaft length to specification
 - B. Bushing thread length. Imp. 9.5 or 6.35 and Metric 8.0, 10.0 or 12.0mm
 - C. Flat length to specification. Special flat trims may be provided to special requirement
 - D. Angle of flat to specification $\pm 2^\circ$. Specify position of flat with switch in fully anti-clockwise position when viewed from knob end.
 - E. Flat thickness to spec. standard 5.54 ± 0.05
 - F. Distance of locating key centre line to centre line of shaft 13.5. Key position as shown
 - G. Angle of locating key: 90°
 - H. Bushing shoulder: Type PZ 3.2 (0.125")
 - J. Dimension to first wafer 10.5
 - K. Wafers are self-stacking. Spacing between wafers can be provided in 1mm increments.
 - L. If no spacer 4.0 spacers may be inserted at this point in 1mm increments.
 - M. As required.
 - P. Locating lug lengths
- Unsealed Type PZ 1.6 above mounting face. Sealed
Type PZ 0.05/0.15 below mounting face.

Optional features

Concentric shafts – dual concentric mechanisms, panel and spindle seals, printed circuit terminations, adjustable stop, electrostatic screens and facilities for fitting mains switches, potentiometers and potentiometers with mains switches.

Typical Applications

The PZ is a 23 way switch, which can be made in to a 24 way continuous rotation switch. This makes it ideally suited for applications such as **stepped attenuation**, in Mono, Stereo and Quad gangs. It is used in the **High-End Pro Audio** market. It is also used in **test equipment**, **control equipment** and **military** applications.