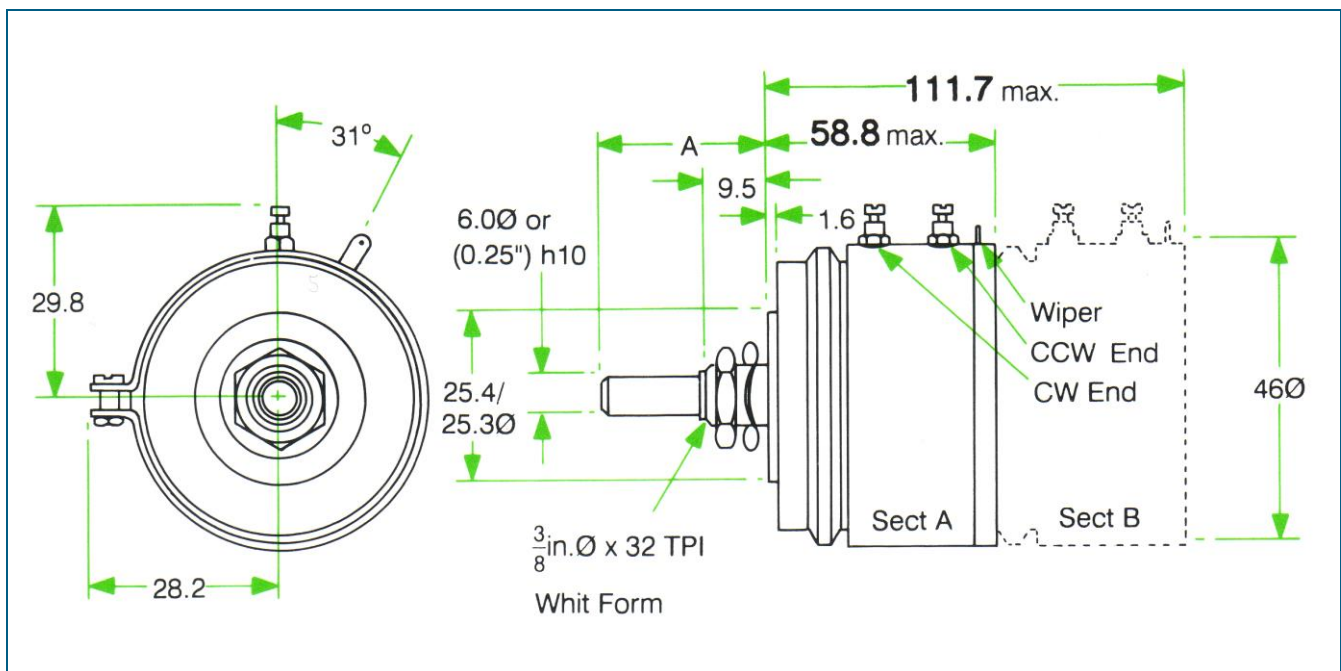


Precision Helical Wirewound



Series CLR 2300 (10 turn)

- Precision 10 turn potentiometer
- Single & dual units available
- Bush mounting
- Stainless steel spindle
- Electrical taps available



Technical data

Standard resistance range	100 Ohms to 250,000 Ohms	Isolation voltage	1000 V a.c. peak
Selection tolerance	+/- 5% (+/- 2% also available)	Rotational Noise	100 Ohms E.N.R. maximum
Angle of effective rotation	3600° +/- 2°	Linearity (Independent)	+/- 0.5%
Power rating	4W @ 20°C (2.0W @ 70°C)	Starting torque	18mNm maximum
End stop torque	800 mNm	Rotational life	10,000 shaft revolutions

Paper based phenolic 46mm diameter body moulding ; nickel plated brass bush ; stainless steel spindle ; nickel silver contact with precious metal tip. Available in 10, 15 and 20 turn versions, with single or multiple electrical taps.